

3540 LA Max. 294W

Charger for Lead Acid batteries



tech spec
BlueLine

Your supplier



The right battery

GACELL A/S · Sletten 17 · 7500 Holstebro · DK
+45 961 02 961 · www.gacell-power.dk

- 3-step charge control with current detection
- XLR output plug for wheelchairs and scooters available
- Input voltage 198-264 VAC
- Wake up and low current start-up of deeply discharged batteries
- Error indication for reverse polarity, charging of wrong lower voltage battery pack, defect battery and safety timer run-out
- Mounting bracket included
- ECO-design compliance: DoE and CEC
- Custom specifications on request
- Approvals:
 - Home healthcare EN 60601-1-11
 - Medically certified:
 - Safety: EN 60601-1 ed. 3.1
 - EMC: EN 60601-1-2 ed. 4 (24V)
 - UL approved



For updates: see www.mascot.no

TECHNICAL SPECIFICATIONS

GENERAL INPUT/OUTPUT

Input voltage:	198-264 VAC
Line Frequency:	47 – 50Hz
Switch frequency, approx.:	65 kHz
Leakage current from batt. with mains switched off:	<130µA @ 24V
Temperature range	
• Operating:	-25 °C - +40 °C
• Storage:	-25 °C - +65 °C
Temp. compensation of charge voltage	-3 to -4mV/°C pr. cell (w. batt. clips only)
Ripple:	< 100 mV p-p
Dimensions (L×W×H):	210 × 113 × 53 mm
Weight:	With mains cable 1400g With IEC60320 1150g

SAFETY PROTECTION EMC

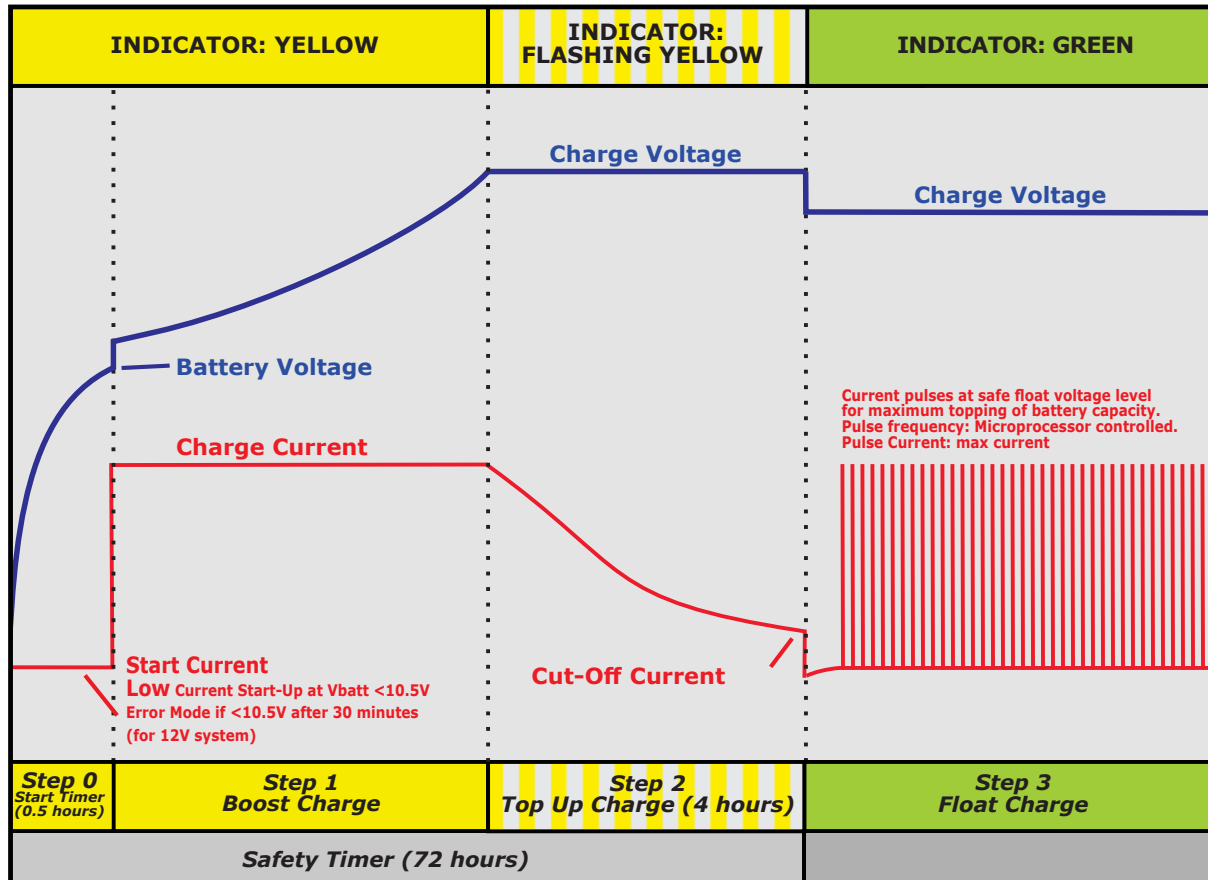
Protection:	Protected against reversed polarity, short circuit proof and thermal run-off. Prevents sparking. Charge timer: 4h Safety timer: 72h Class II (Double insulated)
Insulation class:	Class II (Double insulated)
Insulation voltage	4000VAC / 5700VDC
Primary – secondary:	EN/IEC/ANSI 60601
Electrical safety std:	EN 60601-1-2: 2015 (Edition 4)
EMC standards	EN 60601-1-2: 2015 (Edition 4)
Input terminal:	2-pin IEC 60320 or fixed mains cable
Output terminals:	XLR plug or cord with insulated battery clips and temp. sensor
IP-code:	IP44



VERSIONS

Charge control (LED indication)							
	Step 0 < 30 min	Step 0 > 30 min	Step 1	Step 2	Step 3	Float charge	Restart
	(Yellow)	(Red=error)	(Yellow)	(Flash Yellow)	(Green)		
12V	2,4A ± 0,5A (batt. volt < 10,5A)	< 0A	20A ± 0,3A (batt. volt >10,5V) (to Vbat = 14,7V)	14,7V ± 0,1V (until I charge <2,4A or >4hr) tapering charge current	13,7V ± 0,1V (until I charge > 18A) supply current up to max 20A for possible parallel load	20V ± 01,V Pulsing curr. at safe float volt level for max. topping of batt. capacity	>18A or <13V in 10 sec
24V	1,4A ± 0,5A (batt. volt < 21V)		10A ± 0,3A (batt. volt >21V) (to Vbat = 29,4V)	29,4V ± 0,2V (until I charge <1,4A or >4hr) tapering charge current	27,4V ± 0,1V (until I charge > 8,5A) supply current up to max 10A for possible parallel load	27,4V ± 01,V Pulsing curr. at safe float volt level for max. topping of batt. capacity	>8,5A or <26V in 10 sec

Charging characteristics and LED indication



STEP 1 - BOOST CHARGE

LED-indicator: YELLOW

The charger is in constant current mode (CC), charging with the maximum current until battery voltage reach Top-Up level.



STEP 2 – TOP-UP CHARGE

The charger is in constant voltage mode. The LED-indication will be FLASHING YELLOW during Top-up charge. The charger stays in this mode until the charge current decreases to charge termination level or the Top-Up Charge Timer runs out. The battery is charged to its full capacity at the end of this step



STEP 3 – FLOAT CHARGE

The LED-indication on the charger is GREEN and the battery is fully charged.

The charger is in standby mode. The charge voltage is at standby level and the charger may remain connected to the battery. The charger will return to boost charge if the battery is used. A load larger than the cut-off current will initiate a new charge cycle.

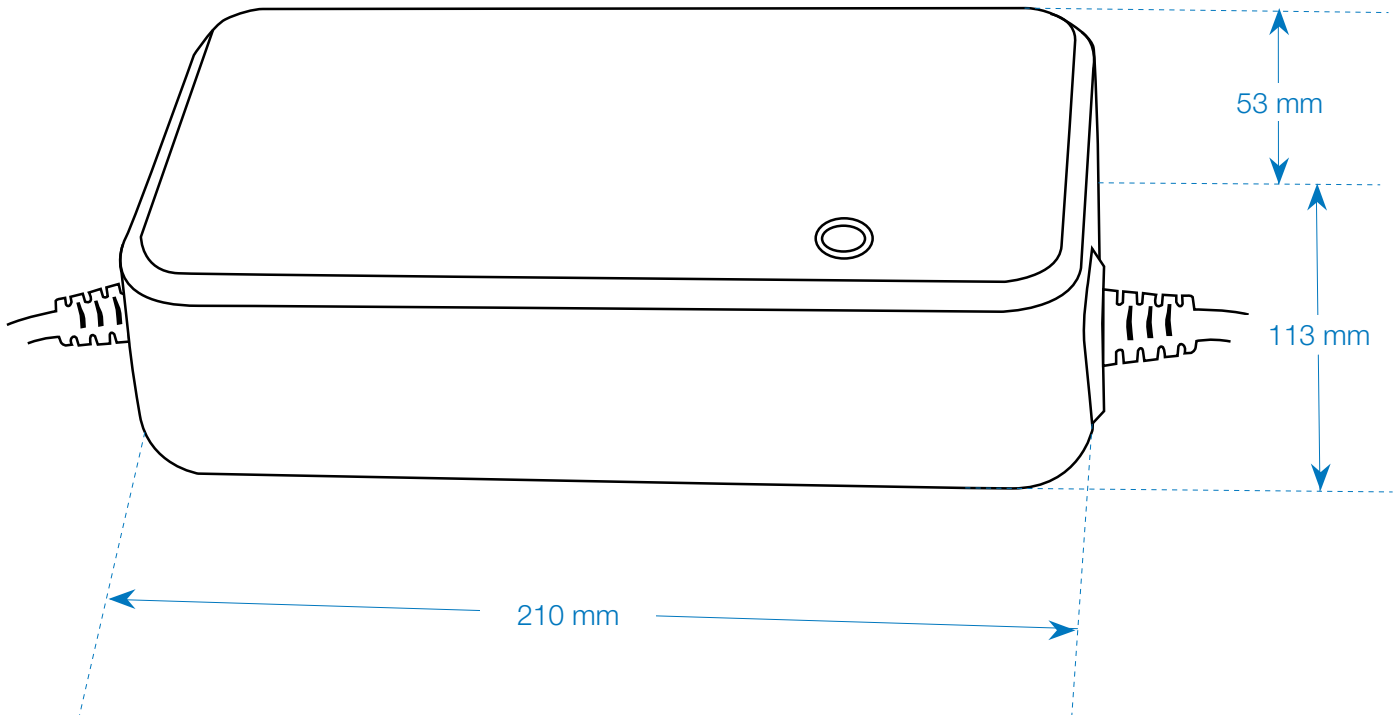


BATTERY NOT CONNECTED

Battery not connected is indicated by FLASHING GREEN. In this mode charger will apply short pulses attempting to wake up deeply discharged batteries.

ERROR INDICATIONS

- 2 red blinks: Battery is connected to charger with wrong polarity!
- 4 red blinks: Charging of wrong lower voltage battery pack (e.g. 12V) will be limited to 1.4A and terminated after 30min
- 5 red blinks: Safety timer has run out. Check battery status or capacity.
- 6 red blinks: Defect battery
- LED off: Battery voltage is too high ($> 32V$). Check battery voltage.



Mounting bracket, part no. 205800

