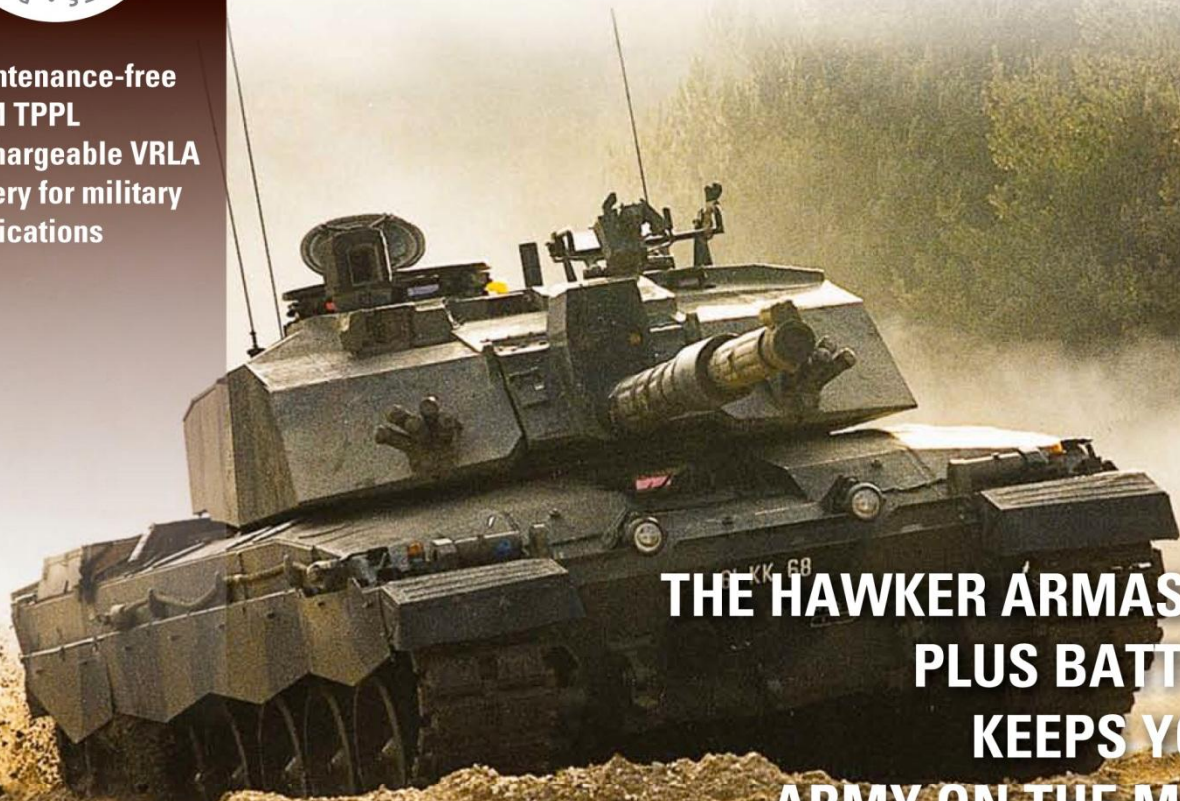




Maintenance-free
AGM TPPL
Rechargeable VRLA
battery for military
applications

HASP-FT/6TAGM



THE HAWKER ARMASAFE
PLUS BATTERY
KEEPS YOUR
ARMY ON THE MOVE

ARMASAFE
plus



The **ARMASAFE Plus** series utilises the proven EnerSys® Thin Plate Pure Lead valve regulated technology, to meet the diverse and demanding energy storage needs of the modern world. Today over 2 million batteries have been installed on a wide range of combat and tactical vehicles throughout the world.

EnerSys TPPL technology packs more power into the same space as a conventional battery, as well as reducing the corrosion and water losses through the purity of the materials used in construction, providing extended storage and service life as well as increasing the resistance to abusive deep discharges.

The inherent design of the VRLA Armasafe battery minimises gas evolution and eliminates the need to top up periodically with water. The electrolyte is fully absorbed into the glass mat separators between the positive and negative plates, which mean there is no free acid within the battery case; this gives increased flexibility in mounting position.



HASP-FT/6TAGM

Part number: 9750N7025
NSN:6140-01-485-1472



SPECIFICATIONS:

Technical Data:

Technology	*TPPL / *AGM / *VRLA
Nominal Voltage	12 V
Charging Voltage	14.4 V @ 20 °C
Float Voltage	13.74 V @ 20 °C
Nominal Capacity C_{20}	120 Ah
Nominal Capacity C_{10}	110 Ah
Nominal Capacity C_5	100 Ah
Nominal Capacity C_1	80 Ah
Reserve Capacity	240 Min
CCA (S.A.E.)	1225 A
Internal Resistance	1.6 m Ω
Temperature Performance Range	-40°C to +80°C
Cycle life at 20% of DoD	3500 Cycles
Cycle life at 50% of DoD	1650 Cycles
Cycle life at 80% of DoD	680 Cycles
Weight	40 kg
Storage	60 Months
Storage at 25°C without recharge	30 Months
Terminals	MIL - PRF - 32143A

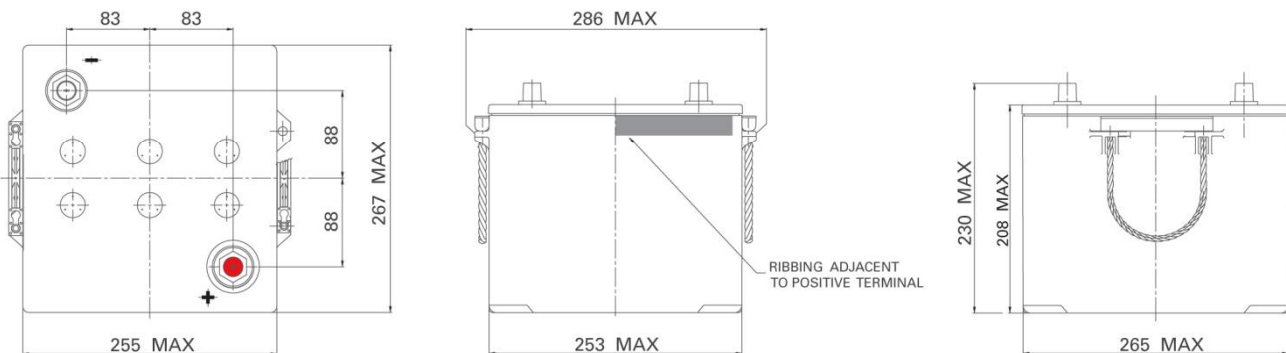
*TPPL: Thin Plate Pure Lead
*AGM: Absorbed Glass Mat
*VRLA: Valve Regulated Lead Acid

Features & Benefits:

Designed in compliance with
MIL - PRF - 32143A

- Installation orientation:
can be mounted in any orientation
except inverted
- Recombination efficiency 99%
- Integrated flame arresters -
Protection against flame transmission
- UN Transportation classification
UN2800-Class 8 exempt
- 97% Recyclability
- Flame retardancy UL94 V-2
- Shock resistant
- Maintenance-free
- Long shelf life
- Resistant to abusive discharges
- Superior cold cranking performance
- Excellent cyclic capability
- Superb charge acceptance

Dimensions:



Energys_ArmaSafe_Plus_1HASP-FT/6TAGM_Jan-2012_V01_EN



GACELL A/S
SLETTEN 17
DK - 7500 HOLSTEBRO

TEL. 961 02 961
MAIL: SALG@GACELL-POWER.DK
WEB: WWW.GACELL-POWER.DK