



### Specification for approval

Customer \_\_\_\_\_

Supplier \_\_\_\_\_

Part Number \_\_\_\_\_

Supplier Number \_\_\_\_\_

Battery spec \_\_\_\_\_ 4/5SC2100mAh 24V \_\_\_\_\_

Revision \_\_\_\_\_ V4.0 \_\_\_\_\_

Manufacture  
Signature

	Item	Prepared	Checked	Approved
XNJTG	Sign			
	Date			

CustomerSignature

	Dept			
	Sign			
	Date			



**Specification Changed Records List**

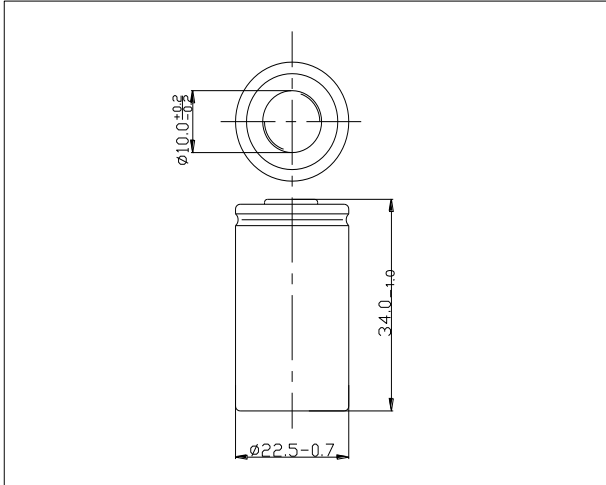
Issue.	Date	Item	Content changed	Cause
V4. 0	2020-07-09			

(Type) : HP34SC2100P

Specifications of single cell

Nominal voltage		1.2V
Capacity	0.2C Discharge	
	Minimum	300min
	Typical	315min
Dimensions	mm	
	Diameter	22.5 <sup>-0.7</sup>
	Height	34.0 <sup>-1.0</sup>
Weight(Approximately)		gram 40.0
Internal Impedance At 1000 Hz		10mΩ(Max) ( After Charge )
Charge	Standard	210mA(0.1C)×16hrs
	apid	420mA(0.2C)×6.0hrs
Ambient temperature	Charge	°C
		standard
	Rapid	0°C to 40°C
	Discharge	-20°C to 50°C
Storage		-20°C to 30°C

PVC (Dimensions with tube) (mm)

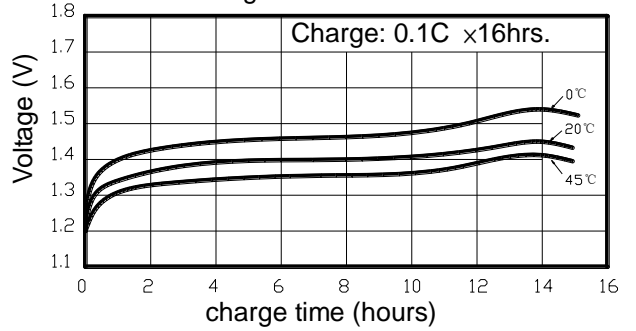


Note:

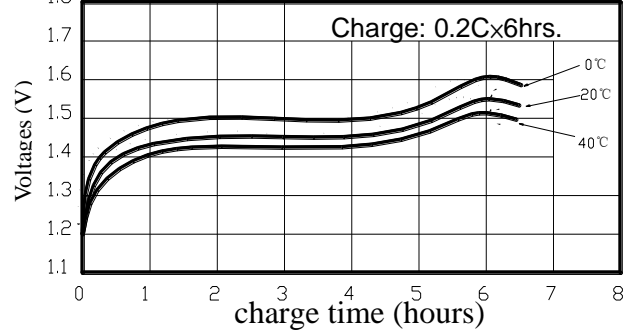
- 20°C 0.2C  
Nominal capacity, rated at 0.2C 20°C.
- Average capacity, for reference only.
- Weight and internal impedance are For reference.
- IEC  
Standard according as IEC of test cycle life ◦

Typical characteristics

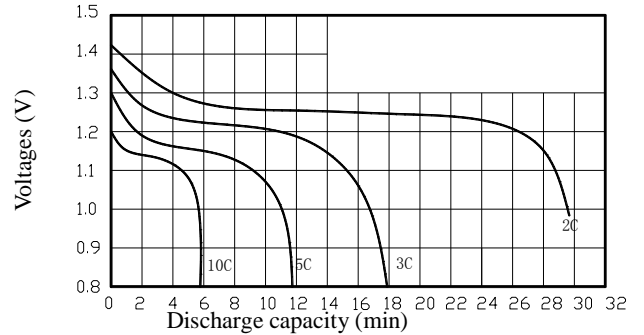
Standard charge



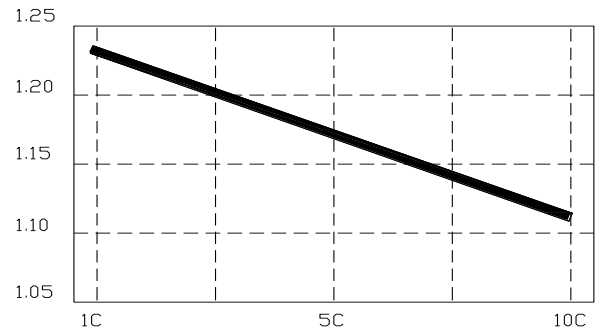
Rapid charge



Discharge characteristics

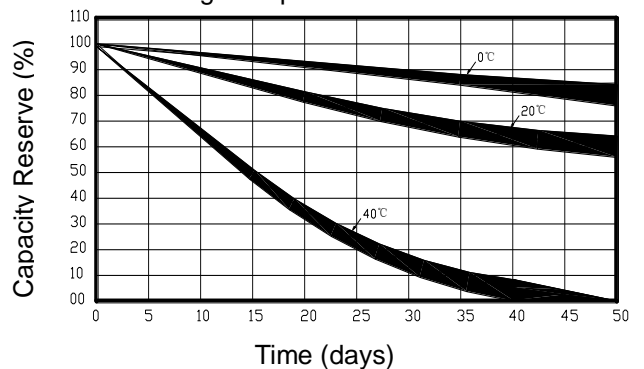


MPV(V)



Ni-MH

Charge retention curves of Ni-MH cylindrical cell At various storage temperature



## 1. PREFACE

The specification is suitable for the performance of NI-MH rechargeable battery.

## 2. MODEL

4/5SC2100mAh 24V

## 3. APPEARANCE

There shall be no such details as discoloration or electrolyte leakage or 0 voltage.

## 4. RATINGS

Description	Unit	Specification	Condition
Nominal Voltage	V	24	Unit pack
Typical Capacity	min	292	10C 0.8V/ Discharge at 10C to 0.8V/cell
Nominal Capacity	mAh	2100	Standard Charge/Discharge
Minimum Capacity	min	279	10C 0.8V/ Discharge at 10C to 0.8V/cell
Standard Charge	mA	210(0.1C)	Ta=0~40°C (see note 1)
	hour	16	
Fast Charge	mA	420(0.2C) with charge termination control	-ΔV=50mV/ p a c k Timer cutoff=105%input capacity Temp. cutoff=40~45°C dT/dt=0.8°C/min(0.5 to 1.0C); 0.8~1°C/min(1C)
	hour	6.0 approx.(0.2C)	
Trickle Charge	mA	42(0.02C)~105(0.05C)	Ta=0~40°C (see note 1)
Maximum Discharging Current	A	8	Ta =0~50°C 0.8v cut off
Storage Temperature	°C	-20~+25(within 1 year) -20~+30(within 3 month) -20~+40(within 1 month) -20~+50(within 1 week)	*
Typical Weight	g	875 approx	*

**5. PERFORMANCE**

0.2C 1.0V, 1 :

Before proceed the following tests, the cells should be discharged at 0.2C to 1.0V cutoff. Unless otherwise stated, tests should be done within one month of delivery under the following conditions:

Ambient temperature: 20°C ± 5°C

Relative Humidity: 65 ± 20%

Note Standard Charge/Discharge Conditions:

Charge: 210 mA(0.1C) × 16hrs

Discharge: 420mA(0.2C) to 1.0V/cell

Test	Unit	Specification	Condition	Remarks
Capacity	min	≥279	10C 0.8V/ Discharge at 10C to 0.8V/cell	3 Up to 3 cycles are allowed
Open circuit Voltage (OCV)	V	≥25	1 Within 1 hr after standard charge	Unit pack
Internal Impedance (Ri)	mΩ	≤340	1kHz Upon fully charge at 1kHz	*
Low Temperature Discharge	min	≥240	0±2°C 24 0.2C Standard Charge, Storage:24hrs at 0±2°C 0.2C discharge at 0±2°C	1.0V/cell Cut-off
Overcharge	N/A	No conspicuous deformation and/or leakage	0.1C 48 0.1C charge for 48hrs	*
Charge Retention	min	≥180min	28, 0.2C Standard charge Storage: 28 days Standard discharge (0.2C)	1.0V/cell Cut-off
IEC IEC Cycle Life Test	Cycle	≥500	IEC61951-2 ED3.0	*
Humidity	N/A	No leakage	33±3°C 80±5% 14 Standard charged, stand for 14 days at 33±3°C and 80±5% of relative humidity	*
External Short Circuit	N/A	No fire and no explosion	20°C ± 5 0.75mm <sup>2</sup> After standard charge, short-circuit the cell at 20 °C ± 5 °C until the cell temperature returns to ambient	*

			temperature.(cross section of the wire or connector should be more than 0.75mm <sup>2</sup> )	
Safety Device Operation	N/A	No explosion	0.2C 0V 1C 60 Forced discharge at 0.2C to a final voltage of 0V,then the current be increased to 1C and forced discharge continue for 60 min	Leakage of electrolyte and Deformation are acceptable
Free falling(drop)	N/A	$\Delta V < 0.02V/cell$ $\Delta Ri < 5\%/cell$	0.1C 16 , 24 50CM 30MM 3 Charge at 0.1C for 16hrs,and then leave for 24hrs,check battery before / after drop Height: 50 cm Thickness of wooden board: 30mm Direction is not specified Test for 3 times	*

Notes:

1. Ta:  
Ta: Ambient Temperature
2. Approximate charge time from discharged state, for reference only.
3. 3, 0.1C , 10 , 0.2C 1.0V, 10 , 0.2C 150 Please activate the battery once every 3 months according to the following method. Otherwise, may cause the battery capacity attenuation, reducing the battery service life and so on.  
Charge at 0.1C for 16 hrs, rest 10 min, then discharge with 0.2C to 1.0V/cell,rest 10 min, then charge at 0.2C to 150min.

## 6. PRECAUTIONS TO ENSURE THE SAFETY ON BANDING BATTERY

1. Batteries should be charged prior to use.
2. When using a new battery for the first time or after long term storage, please fully charge the battery before use.
  
3. For charging methods please refer to our technical handbook.
4. Ni-Cd Ni-MH  
Use the correct charger for Ni-Cd or Ni-MH batteries.
5. Do not reverse charge batteries.
6. Do not short circuit batteries, permanent damage to batteries may result.
7. Do not incinerate or mutilate batteries, may burst or release toxic material.
8. Do not solder directly to cells or batteries.
9. Do not subject batteries to adverse conditions such as extreme temperature, deep cycling and excessive overcharge/overdischarge.
  
10. Store batteries in a cool dry place.
11. Do not mix X N J T G batteries with other battery brands or batteries of a different chemistry such as alkaline and zinc carbon.
  
12. Do not mix new batteries in use with semi-used batteries, overdischarge may occur.
13. Avoid batteries being used in an airtight compartment. Ventilation should be provided inside the battery compartment; otherwise batteries may generate hydrogen gas, which could cause an explosion if exposed to an ignition source.
14. When connecting a battery pack to a charger, ensure correct polarity.

15. If find any noise, excessive temperature or leakage from a battery, please stop its use.
16. When the battery is hot, please do not touch it and handle it, until it has cooled down.
17. Do not remove the outer sleeve from a battery pack nor cut into its housing.
18. When find battery power down during use, please switch off the device to avoid overdischarge.
19. When not using a battery, disconnect it from the device.
20. Unplug a battery by holding the connector itself and not by pulling at its cord.
21. After use, if the battery is hot, before recharging it, allow it to cool in a well-ventilated place out of direct sunlight.
  
22. Never put a battery into water or seawater.
23. During long term storage, battery should be charged and discharged once every 3 months.
24. Do not attempt to take batteries apart or subject them to pressure or impact. Heat may be generated or fire may result. The alkaline electrolyte is harmful to eyes and skin, and it may damage clothing upon contact.
25. Keep away from children. If swallowed, contact a physician at once.
26. Battery failure, may not be thrown away, please recycling
27. Stored or transport, please let the battery apart and fixed, to prevent external short circuit



## 7.IEC61951-2 ED3.0

0.2 1<sub>t</sub>A 1.0V.

20°C ± 5°C. 5 35°C

## 5

1	0.1C <sub>t</sub> A for 16 h	None	0.25 C <sub>t</sub> A for 2 h 20 min <sup>2)</sup>
2 to 48	0.25 C <sub>t</sub> A for 3 h 10 min	None	0.25 C <sub>t</sub> A for 2 h 20 min <sup>2)</sup>
49	0.25 C <sub>t</sub> A for 3 h 10 min	None	0.25 C <sub>t</sub> A to 1.0V
50	0.1 C <sub>t</sub> A for 16 h	1h to 4h	0.2C <sub>5</sub> A to 1.0V <sup>1)</sup>
<ul style="list-style-type: none"> <li>● 50 , 51 100,150,200,250,300,350,400and 450 周.</li> <li>● 1.0V</li> </ul>			

1-50 , 50 3h , 50 3h , 500

**Append:** IEC61951-2 ED3.0 Endurance in cycles

Before the endurance in cycles test, the cell shall be discharged at 0.2 1<sub>t</sub>A to a final voltage of 1.0V/cell. The following endurance test shall then be carried out, irrespective of cell designation, in an ambient temperature of 20°C ± 5°C. Charge and discharge shall be carried out at constant current throughout, using the conditions specified in table 5. Precautions shall be taken to prevent the cell-case temperature from rising above 35°C during the test, by providing a forced air draught if necessary.

NOTE-Actual cell temperature, not the ambient temperature, determines cell performance.

**Table 5-Endurance in cycles**

Cycle number	Charge	Stand in Charged condition	Discharge
1	0.1C <sub>t</sub> A for 16 h	None	0.25 C <sub>t</sub> A for 2 h 20 min <sup>2)</sup>
2 to 48	0.25 C <sub>t</sub> A for 3 h 10 min	None	0.25 C <sub>t</sub> A for 2 h 20 min <sup>2)</sup>
49	0.25 C <sub>t</sub> A for 3 h 10 min	None	0.25 C <sub>t</sub> A to 1.0V/cell
50	0.1 C <sub>t</sub> A for 16 h	1h to 4h	0.2C <sub>5</sub> A to 1.0V/cell
<ul style="list-style-type: none"> <li>● It is permissible to allow sufficient open-circuit rest time after the completion of discharge at cycle 50, so as to start cycle 51 at an exact two-week interval. A similar procedure may be adopted at cycles 100,150,200,250,300,350,400and 450.</li> <li>● If cell discharge voltage drops below 1.0V/cell, discharge may be discontinued.</li> </ul>			

Cycles 1 to 50 shall be repeated until the discharge duration on any 50<sup>th</sup> cycle becomes less than 3h at this stage, a further cycle as specified for cycle 50 shall be carried out.

The endurance test is considered complete when two such successive cycles give a discharge duration less than 3h. The number of cycles obtained when the test is completed shall be not less than 500.