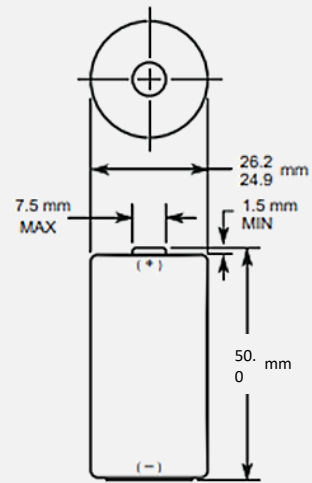


## ALKALINE-MANGANESE DIOXIDE BATTERY



Size: C (LR14) PC1400



Dimensions shown are IEC standards

### KEY FEATURES

- Reliable Performance
- Excellent resistance to corrosion
- Designed to meet all major quality, safety and environmental standards:
  - Safety: IEC 60086-5
  - ANSI C 18.1M, Part-2
  - EU Battery Directive
  - Quality: ISO 14001 and 9001, Duracell World Class Continuous Improvement Program

### TYPICAL APPLICATIONS

- Clocks
- Multimeters
- Flashlights
- Scales

Din forhandler



GACELL A/S - Sletten 17 - DK 7500 Holstebro - 961 02 961

**PROCELL**<sup>®</sup>

PROFESSIONAL BATTERIES

Procell Professional batteries

Berkshire Corporate Park

Phone: 1-800-544-5454 (Toll-free)

[www.procell.com](http://www.procell.com)

### ELECTRICAL CHARACTERISTICS

- Nominal capacity (25 mA Cont., .8V cut-off) 9,038 mAh
- Typical Voltage (at + 20 °C) 1.5 V
- AC Impedance @ 1kHz 150 mΩ

### PHYSICAL CHARACTERISTICS

- Typical weight 70.7 g (2.5 oz)
- Typical volume 26.9 cm<sup>3</sup> (1.6 in<sup>3</sup>)
- Terminals Flat

### OPERATING & STORAGE CONDITIONS

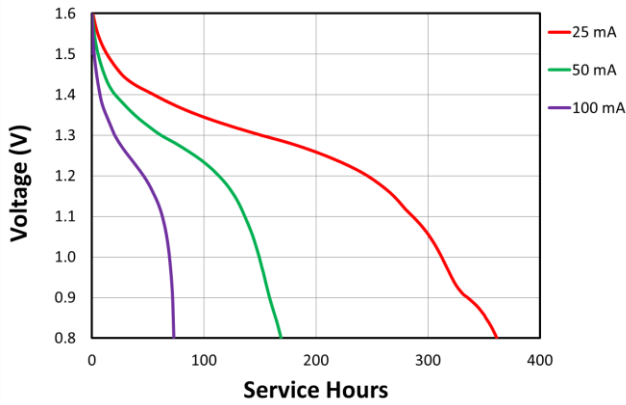
- Operating temperature range -20°C to 54°C (-4°F to 130°F)
- Recommended Storage (storage area should be clean, cool, dry and ventilated) 5°C to 30°C (41°F to 86°F)

Delivered capacity is dependent on the applied load, operating temperature and cut-off voltage. Please refer to the charts and discharge data shown for examples of the energy/service life that the battery will provide for various load conditions.

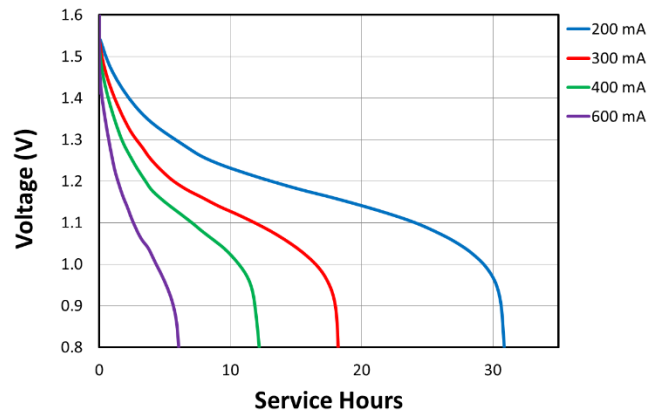
This data is subject to change. Performance information is typical. Contact Duracell for the latest information.

**TYPICAL PERFORMANCE**

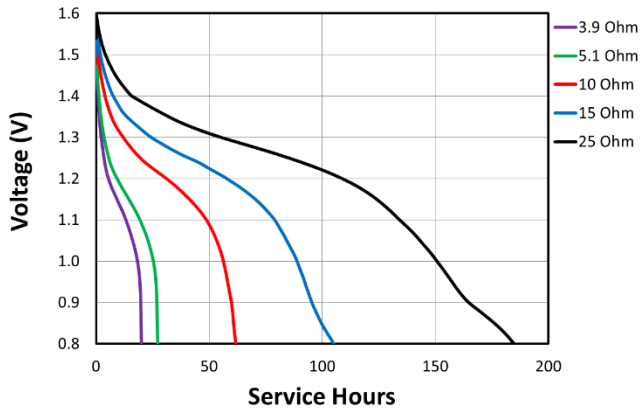
**Constant Current**



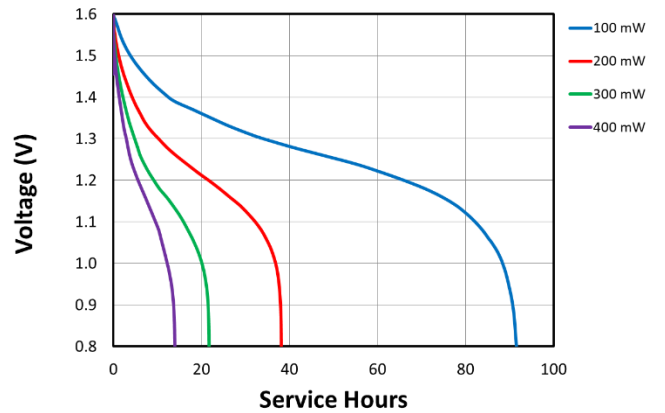
**Constant Current**



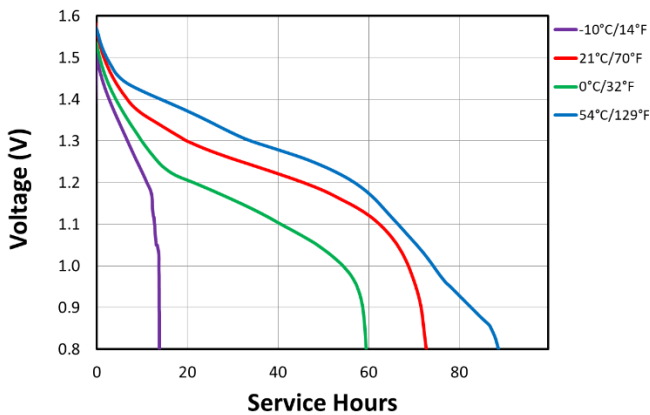
**Constant Resistance**



**Constant Power**



**Constant Current - 100 mA**



Delivered capacity is dependent on the applied load, operating temperature and cut-off voltage. Please refer to the charts and discharge data shown for examples of the energy/service life that the battery will provide for various load conditions.

This data is subject to change. Performance information is typical. Contact Duracell for the latest information.