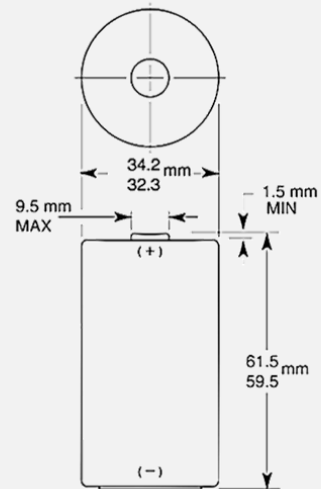


**ALKALINE-MANGANESE DIOXIDE BATTERY**



Size: D (LR20) PC1300



Dimensions shown are IEC standards

**KEY FEATURES**

- Reliable Performance
- Excellent resistance to corrosion
- Designed to meet all major quality, safety and environmental standards:
  - Safety: IEC 60086-5
  - ANSI C 18.1M, Part-2
  - EU Battery Directive
  - Quality: ISO 14001 and 9001, Duracell World Class Continuous Improvement Program

**TYPICAL APPLICATIONS**

- Clocks
- Multimeters
- Flashlights
- Scales

Din forhandler



**PROCELL**<sup>®</sup> GACELL A/S - Sletten 17 - DK 7500 Holstebro - 961 02 961  
PROFESSIONAL BATTERIES

Procell Professional batteries  
Berkshire Corporate Park  
Phone: 1-800-544-5454 (Toll-free)  
[www.procell.com](http://www.procell.com)

**ELECTRICAL CHARACTERISTICS**

- Nominal capacity (25 mA Cont., .8V cut-off) 19,669 mAh
- Typical Voltage (at + 20 °C) 1.5 V
- AC Impedance @ 1kHz 133 mΩ

**PHYSICAL CHARACTERISTICS**

- Typical weight 144.0 g (5.1 oz)
- Typical volume 56.4 cm<sup>3</sup> (3.4 in<sup>3</sup>)
- Terminals Flat

**OPERATING & STORAGE CONDITIONS**

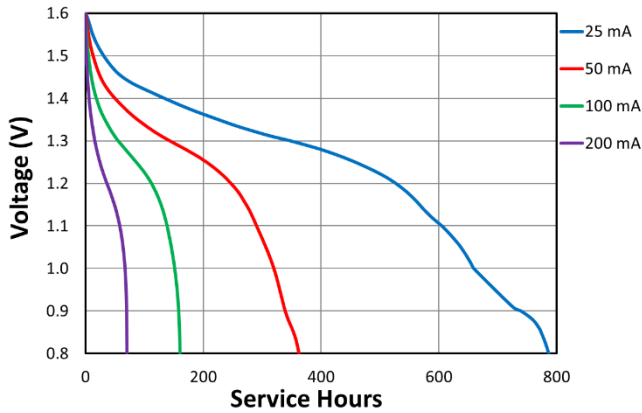
- Operating temperature range -20°C to 54°C (-4°F to 130°F)
- Recommended Storage (storage area should be clean, cool, dry and ventilated) 5°C to 30°C (41°F to 86° F)

Delivered capacity is dependent on the applied load, operating temperature and cut-off voltage. Please refer to the charts and discharge data shown for examples of the energy/service life that the battery will provide for various load conditions.

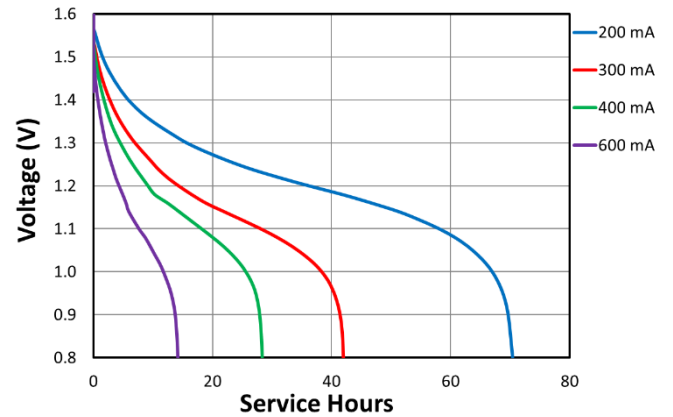
This data is subject to change. Performance information is typical. Contact Duracell for the latest information.

**TYPICAL PERFORMANCE**

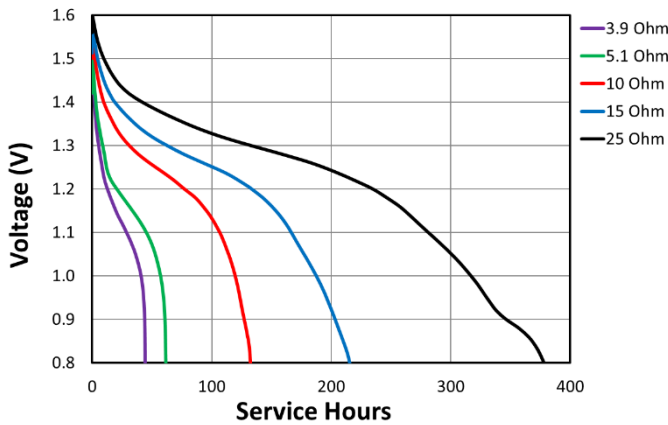
**Constant Current**



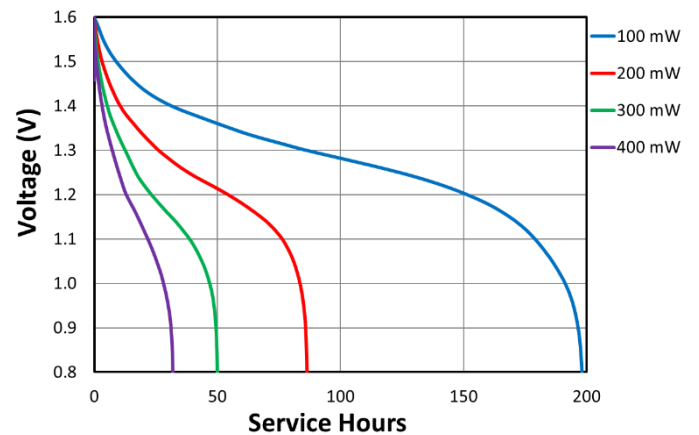
**Constant Current**



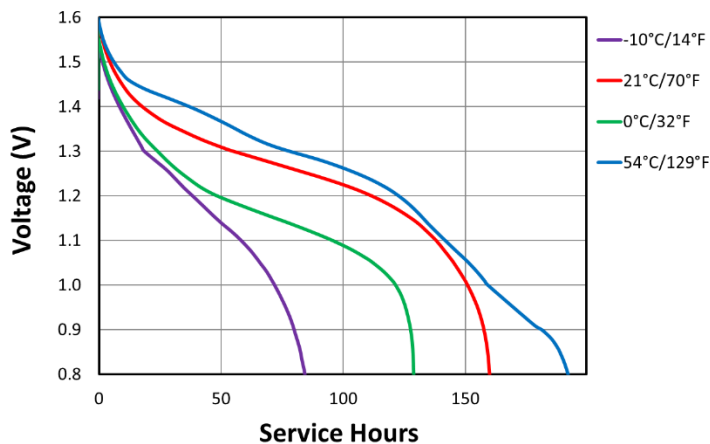
**Constant Resistance**



**Constant Power**



**Constant Current - 100 mA**



Delivered capacity is dependent on the applied load, operating temperature and cut-off voltage. Please refer to the charts and discharge data shown for examples of the energy/service life that the battery will provide for various load conditions.

This data is subject to change. Performance information is typical. Contact Duracell for the latest information.