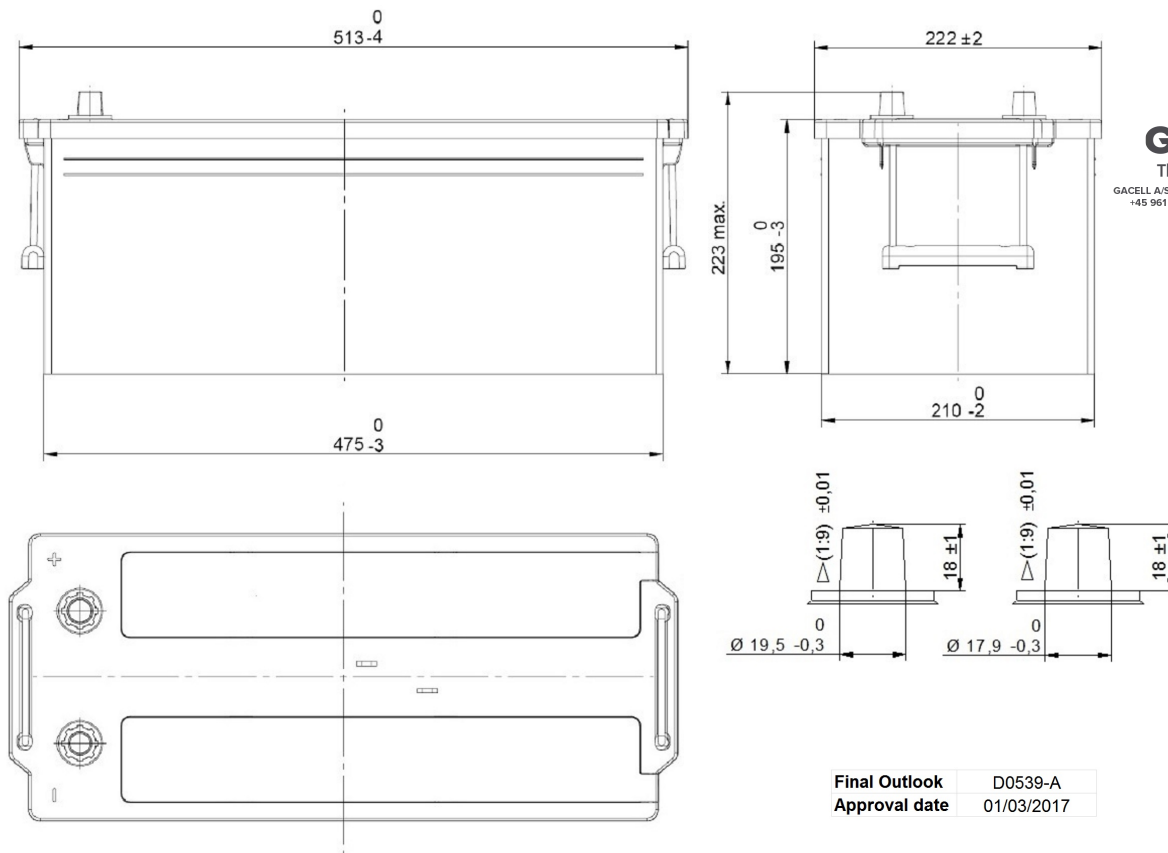


Central Article Code: D05111C39-A
 ETN Code or Other: EE1853

Created: 13/07/2016
 Modified: 01/05/2021



PERFORMANCES

Voltage (V):	12 V
C20 (Ah):	185.0 20 h
Rc (min):	0
Cranking (A):	1100 EN
Vibration:	V4 (3 axis) ref. EN-2015
Endurance:	E2 (150c@50%) ref. EN-2015
Charge:	WET
Technology:	Vented/Flooded
Grid:	Ca/Ca

CONTAINER

Type:	D05	GREY MEDIUM
Hold Down:	B0	
H.D. Adapter:	No	

COVER

Type:	Flat/Press	GREY MEDIUM
Polarity:	ETN 3	
Terminals:	EN taper post	
Terminal Adapter:	No	
SOCI:	No	
Ventilation:	Central	
Filter:	1 Filter per Vent	
Lateral Plug:	No	

WEIGHT AND STD. DIMENSIONS

Battery Weight (kg ± 5%):	46.4
Volume acid (l ± 5%):	8.8
Length (mm ± 2):	513
Width (mm ± 2):	223
Height (mm ± 2):	223

PLUGS

Type:	2 x VCL Vent	GREY MEDIUM
-------	--------------	-------------

HANDLES

Type:	2 x Rope (Rigid holder)	BLACK
-------	-------------------------	-------

OTHERS

Degassing Tube:	No
-----------------	----

All figures show nominal values. Tolerances are according to EN50342 and applicable European Regulations.