

LPL Series-Long Standby Life

LPL12-35(12V35Ah)

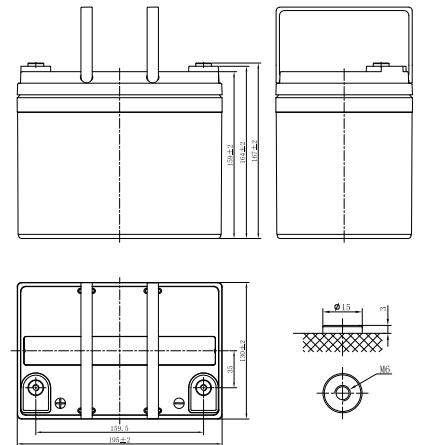


Specifications

Rated Voltage	12V	
Nominal Capacity	(C ₂₀ , 1.75V/cell)	35.0Ah
Dimension	Length	195±2mm (7.68 inches)
	Width	130±2mm (5.12 inches)
	Container Height	164±2mm (6.46 inches)
	Total Height	167±2mm (6.57 inches)
Approx Weight	10.7 Kg (23.6 lbs)	
Terminal	M6	
Container Material	ABS	
Rated Capacity (25°C)	35.0 Ah	(20hr, 1.75A, 1.75V/cell)
	33.1 Ah	(10hr, 3.31A, 1.75V/cell)
	30.1 Ah	(5hr, 6.02A, 1.75V/cell)
	27.1 Ah	(3hr, 9.03A, 1.75V/cell)
	23.8 Ah	(1hr, 23.8A, 1.60V/cell)
Max. Discharge Current	525A (5s)	
Internal Resistance (25°C)	Approx 10mΩ	
Operating Temp. Range	Discharge	-15 ~ 50°C (5 ~ 122°F)
	Charge	-20 ~ 40°C (-4 ~ 104°F)
	Storage	-15 ~ 40°C (5 ~ 104°F)
Nominal Operating Temp. Range	25±3°C (77±5°F)	
Cycle Use	Initial Charging Current less than 10.5A. Voltage 14.4V~15.0V at 25°C(77°F)Temp. Coefficient -30mV/°C	
	Standby Use	
Effect of temp. to Capacity	40°C (104°F)	103%
	25°C (77°F)	100%
	0°C (32°F)	86%
Self Discharge	LPL series batteries may be stored for up to 6 months at 25°C(77°F) and then a freshening charge is required. For higher temperatures the time interval will be shorter.	



Layout



Constant Current Discharge (Amperes) at 25 °C (77°F)

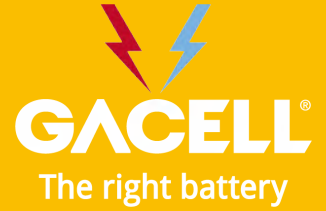
F.V/Time	5min	10min	15min	20min	30min	45min	1h	1.5h	2h	3h	4h	5h	6h	8h	10h	20h
1.85V/cell	114.4	78.5	60.4	48.8	36.0	26.3	21.5	15.7	12.3	8.74	6.89	5.86	5.02	3.96	3.23	1.71
1.80V/cell	123.1	83.2	63.4	50.8	37.1	27.0	22.1	16.0	12.5	8.89	6.99	5.95	5.10	4.01	3.28	1.73
1.75V/cell	129.7	86.5	65.5	52.2	38.0	27.6	22.5	16.3	12.7	9.03	7.08	6.02	5.16	4.06	3.31	1.75
1.70V/cell	135.8	90.0	67.7	53.7	39.0	28.2	22.9	16.6	12.9	9.16	7.18	6.11	5.22	4.10	3.34	1.76
1.67V/cell	140.5	92.5	69.3	54.8	39.7	28.6	23.3	16.8	13.0	9.25	7.25	6.16	5.27	4.13	3.37	1.78
1.60V/cell	149.0	96.4	71.7	56.5	40.8	29.4	23.8	17.2	13.3	9.42	7.38	6.26	5.34	4.19	3.41	1.80

Constant Power Discharge (Watts/cell) at 25 °C (77°F)

F.V/Time	5min	10min	15min	20min	30min	45min	1h	1.5h	2h	3h	4h	5h	6h	8h	10h	20h
1.85V/cell	216.5	149.3	115.6	94.1	69.5	51.0	41.9	30.6	24.0	17.2	13.6	11.6	9.93	7.84	6.43	3.42
1.80V/cell	230.6	157.2	120.6	97.3	71.3	52.2	42.8	31.2	24.4	17.4	13.7	11.7	10.1	7.95	6.51	3.46
1.75V/cell	240.3	162.3	123.8	99.5	72.9	53.1	43.5	31.6	24.8	17.7	13.9	11.9	10.2	8.03	6.57	3.50
1.70V/cell	249.2	167.7	127.2	101.8	74.4	54.1	44.1	32.1	25.1	17.9	14.1	12.0	10.3	8.10	6.63	3.53
1.67V/cell	255.7	171.4	130.0	103.7	75.5	54.8	44.7	32.4	25.3	18.0	14.2	12.1	10.4	8.16	6.68	3.56
1.60V/cell	266.0	176.4	133.5	106.3	77.2	55.8	45.5	33.0	25.7	18.3	14.4	12.3	10.5	8.27	6.75	3.59

LPL Series-Long Standby Life

LPL12-35(12V35Ah)



Applications

- UPS and EPS
- Emergency light
- Railway signal and aircraft signal system
- Marine and power stations
- Alarm and security system
- Electronic apparatus and equipment
- Communication power supply, DC power supply

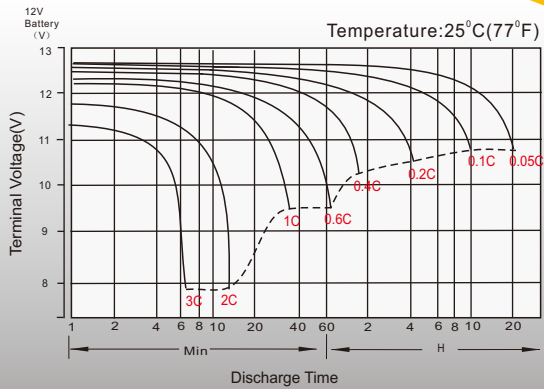
General Features

- 10 ~ 12 years design life(20°C)
- Grid refining technology and the thicker plates are used to extend the battery standby life and reduce the plate grid corrosion speed
- Using oxygen recombination technology: maintenance-free
- Unique vent valve design: control water losing, prevent air and spark going inside

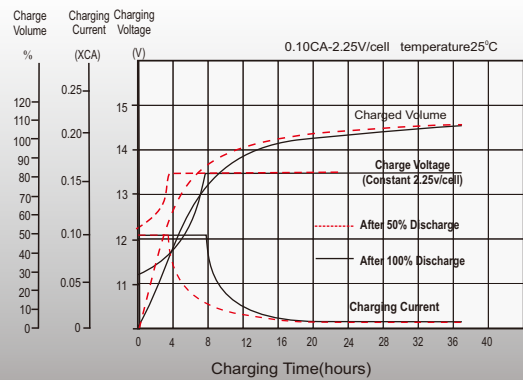
Standards

- Compliance with IEC 60896 standards, EU Battery Directive

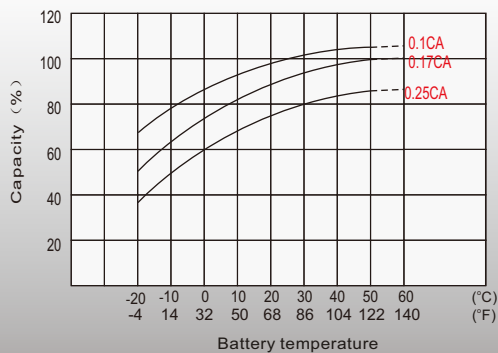
Discharge Characteristics



Float Charging Characteristics



Temperature Effects in Relation to Battery Capacity



Float Service Life

