

HF1-IP

Main features:

Integrated battery discharge indicator

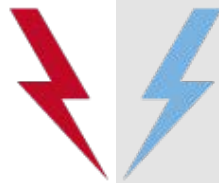
Fan less design

IP 55 (optional IP65)

Power from 155W up to 240W

Current from 10A to 13A

Din forhandler



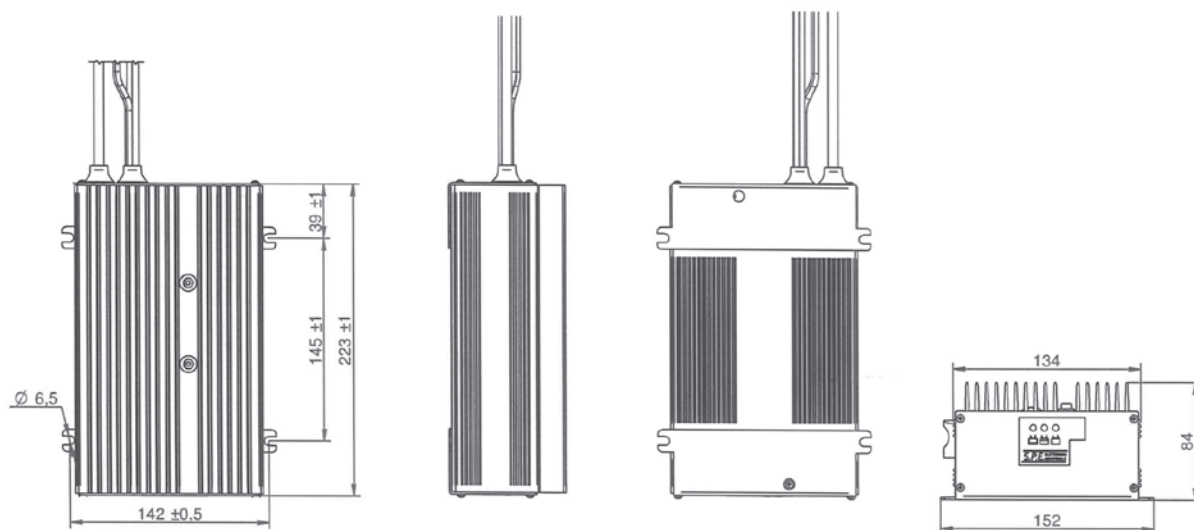
GACELL®

The right battery

GACELL A/S - Sletten 17 - DK 7500 Holstebro - 961 02 961

APPLICATIONS





DIMENSIONS (LxWxH): 152x225x84 mm – 5.98x8.86x3.31 in
 WEIGHT: 3,00 Kg - 6.61 lbs
 PROTECTION GRADE IP55
 INPUT VOLTAGE: Universal 100 ÷ 240 Vac – 50-60 Hz

Battery Voltage	Battery Range		Charging Current	Model
	5h	20h		
12V	60 ÷ 100 Ah	70 ÷ 130 Ah	10A	12-10
	80 ÷ 130 Ah	90 ÷ 150 Ah	13A	12-13
24V	60 ÷ 100 Ah	70 ÷ 130 Ah	10A	24-10

Din forhandler



GACELL®

The right battery

GACELL A/S - Sletten 17 - DK 7500 Holstebro - 961 02 961