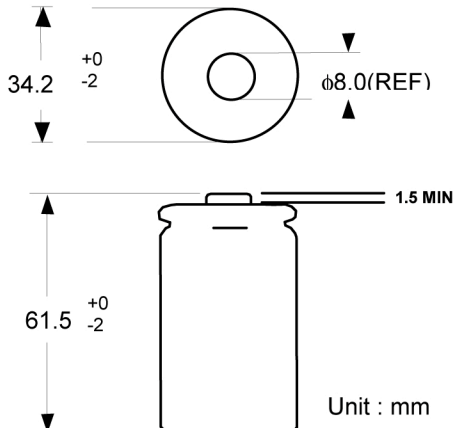


Data Sheet

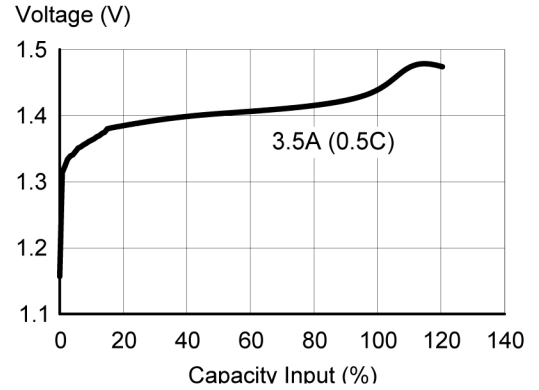
Model No.: 700DHC

Type	: Rechargeable Nickel Metal Hydrid Cylindrical Cell
Model	: GP700DHC
Nominal Dimension (with Sleeve)	: $\varnothing = 34.2\text{mm}$ H = 61.5mm
Application	: Recommended discharge current 3500mA to 21A
Nominal Voltage	: 1.2V
Nominal Capacity	: Min.: 6800mAh Typical: 7000 mAh when discharged at 1400mA to 1.0V at 20°C
Charging Condition	: 700mA for 16 hrs at 20°C
Fast charge	: 1.4A to 3.5A (0.2C to 0.5C) with charge termination control Recommended control parameter: -delta V: 0 - 5mV dT/dt: 0.8 deg.C/min TCO: 40-50 deg. C Timer: 105% nominal input
Service Life	: >500 cycles (IEC 61951-2) Up to 1000 cycles (not less than 60% of nominal at 0.1C charge/ 0.2C discharge)
Continuous Overcharge	: 700mA maximum current No conspicuous deformation and /or leakage
Weight	: 155g
Internal Resistance	: Average 8m Ω upon fully charged (Range : 5-10m Ω) at 1000Hz
Max. Charging Voltage	: 1.5V at 700mA charging
Temperature Range	: Standard charging : 0 to 40°C Fast charging : 10 to 40°C Discharging : -20 to 50°C Storage : -20 to 35°C Storage (1 week) : -20 to 60°C

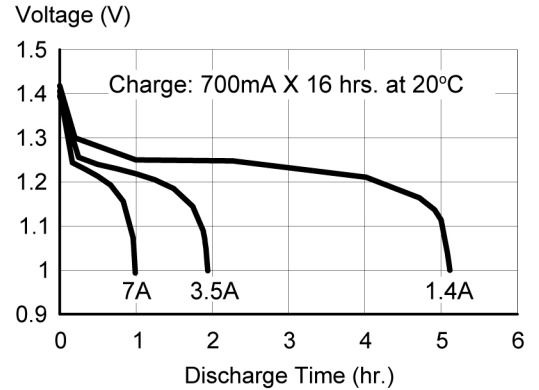
*



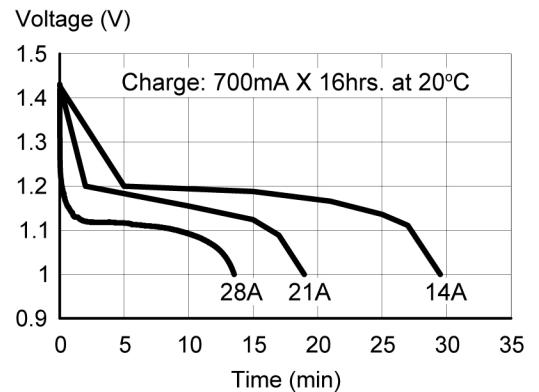
Fast Charge (Charge Control Required)



Low Rate Discharge



High Rate Discharge



* The information (subject to change without prior notice) contained in this document is for reference only and should not be used as a basis for product described guarantee or warranty. For applications other than those here, please consult your nearest GP Sales and Marketing Office or Distributors.