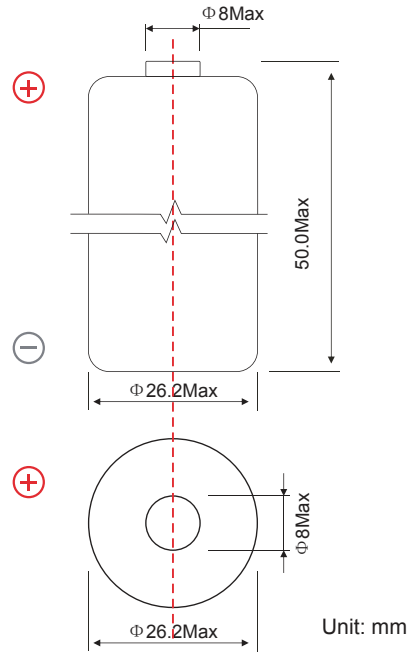
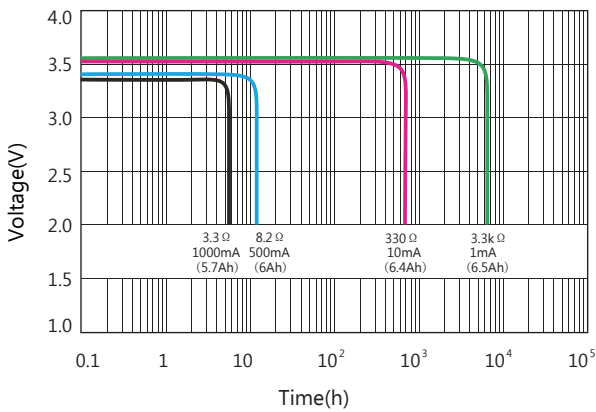


Characteristics

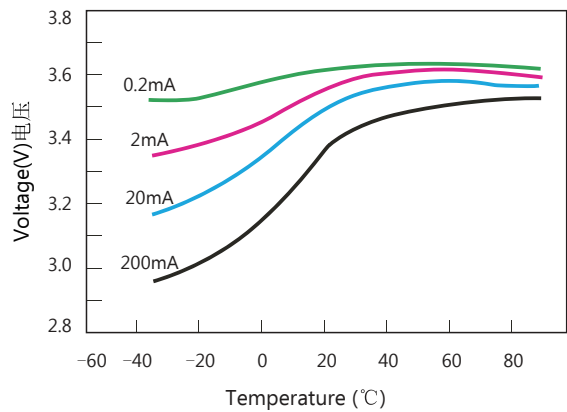
Nominal capacity(10mA-2.0v-25°C).....	6500mAh
Nominal voltage.....	3.6v
Max.constant current.....	1500mA
Max.pulse current.....	2500mA
Weight.....	57g
Volume.....	Φ26.2X50.0mm
Workable temperature.....	-60°C +85°C



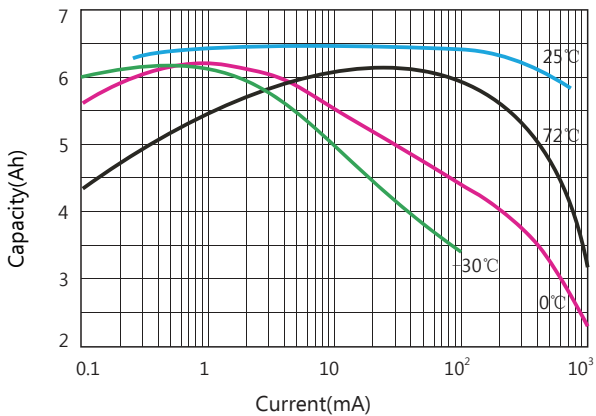
Discharge characteristic



Voltage vs temperature



Capacity vs current



Storage characteristics

